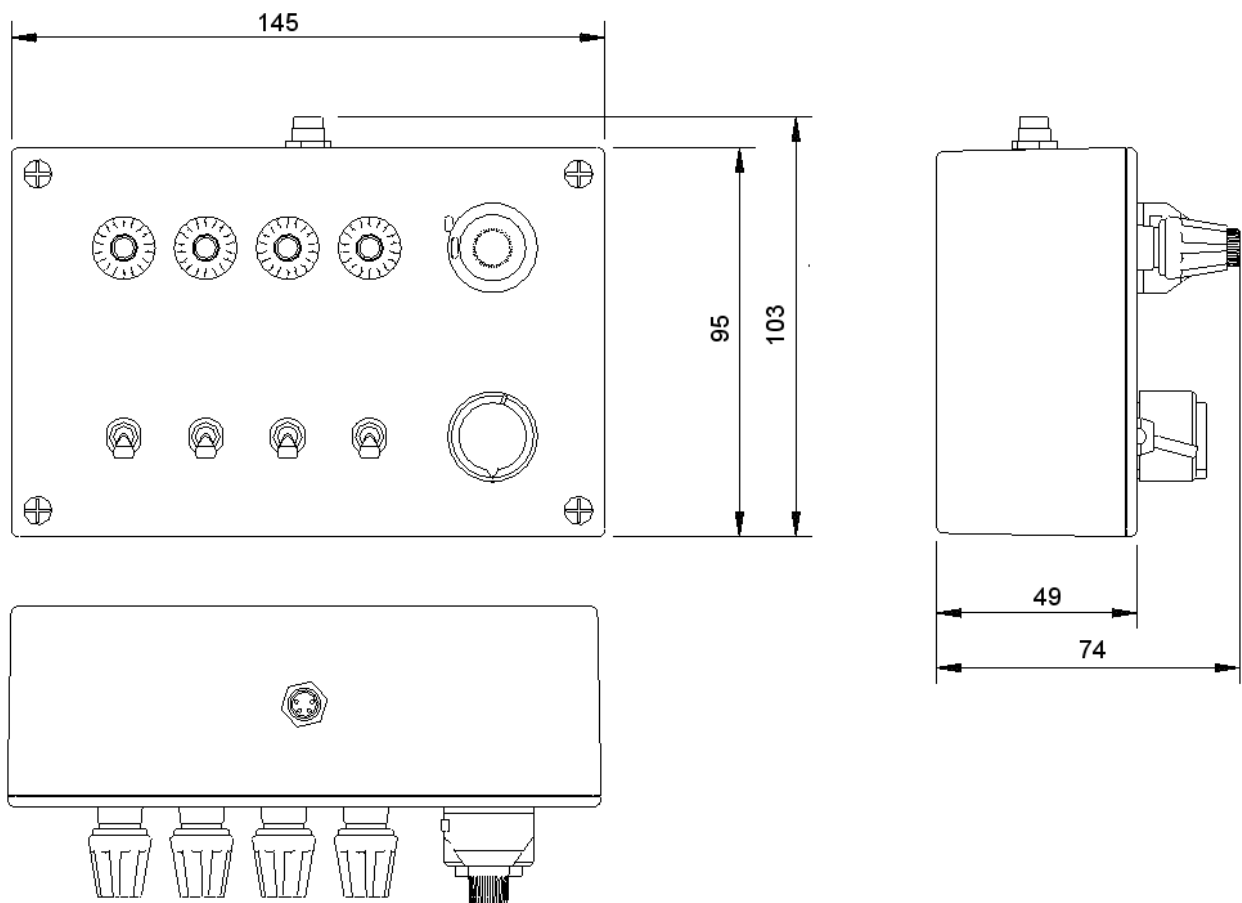


Calibrator ME145



- Simulation of defined output signals of force sensors, torque sensors and other sensors with strain gauges
- 10 possible calibration steps between 0.2 mV/V and 3.5 mV/V
- „Vernier“ for stepless adjustment within ± 0.5 mV/V at every calibration step
- Rugged aluminium housing
- Simulation of quarter bridges of 350 Ohm
- Reversing switch for plus and minus calibration
- 4mm plug or screw terminal and 5-pole connector M12

Dimensions





All dimensions are in millimeters

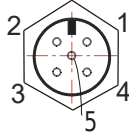
Toggle switches

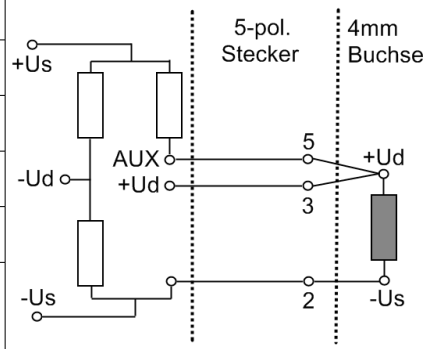
Switch	Function
„Resistance“	Changing the load resistance between terminals +Us and -Us. Standard-setting: 350 Ohm
„Bridge“	Changing the bridge type „Full bridge“ (4/4) or „Quarter bridge“ (1/4). The setting „Quarter bridge“ has to be combined with the polarity „-“. With the bridge type „Quarter bridge“ only negative calibration steps can be used. The active sensor-resistance of the quarter bridge is between the terminals in the middle (-Us and +Ud).
„Vernier“	The calibration setting selected with the step switch can be adjusted around $\pm 0,5$ mV/V in the switch position „Vernier ON“.
„Polarity“	With this switch the polarity can be changed to plus or minus calibration.

Technical data

Accuracy	0,05	%
10 Calibration steps	$\pm 0.2; \pm 0.5; \pm 1.0; \pm 2.0; \pm 0.35; \pm 0.375; \pm 0.875; \pm 1.75; \pm 3.5; \pm 0.3$	mV/V
Vernier	Stepless from -0.5 to +0.5 (scale accuracy ± 0.02 mV/V)	mV/V
Ambient temperature influence	< 20	ppm/10K
Terminal resistance of bridge supply	350, changeable to 88	Ω
Terminal resistance of bridge output	350	Ω
Dimensions (W x L x H)	145 x 95 x 74	mm ³
Temperature range	0 - 50	$^{\circ}\text{C}$
Weight	470	g

Connector pin assignment

Connector	Pin	Pin assignment	ME	SAC-5P
(top view) 	1	+Us positive bridge supply	brown	brown
	2	-Us negative bridge supply	white	white
	3	+U _D positive bridge output	green	blue
	4	-U _D negative bridge output	yellow	black
	5	AUX Sensor lead for 3-wire technology	grey	grey



Connection of quarter bridge

Optional accessories

a) Connector M12, 5-pin, Series 713: Connector 5p / m / M12 / 0

(Binder cable connector, 5-pole, 713 series; shieldable; with screw terminals; for cable diameters 4 - 6 mm;)
OR

b) 3m connection cable "Connector 5p / f / M12 / 3,0"

(SAC-5P-3.0-PUR M12FS SH; 5 pin socket (spring contacts), M12, with 3m cable, PUR)

c) Factory calibration certificate ME145

d) DAkkS calibration certificate ME145

Changelog

Version	Datum	Änderungen
me145_en.odt	22.07.14	First version
me-145_en-v1.0.odt	24.01.19	Formatting updated;;